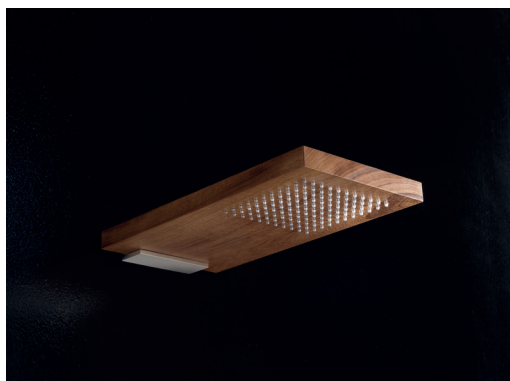


## Shower head

# Terra Marique

### General description



The peculiarity of the shower heads is the internal distribution box that avoids direct contact of the wood with water. The structural version of Terra Marique is connected to the glass pane by mechanical tightening: no glue is necessary for installation. During installation a depth register and one with a lateral excursion can be used.



### Technical Features

The distribution box is designed and aimed at important water and energy saving, obtained thanks to flow rate limiters that allow **supply at 6 l/min** against the established 25 l/min.

The special internal structure allows rapid water emptying of the product, avoiding stagnation, reducing the accumulation of limescale and the annoying dripping once the supply is closed. Above the single version and below the structural version of the Terra Marique shower head.

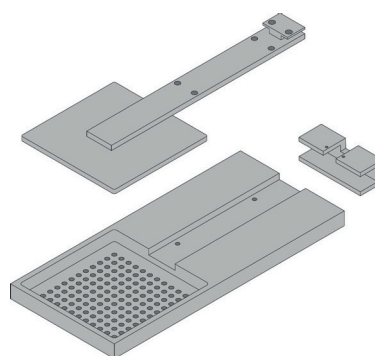
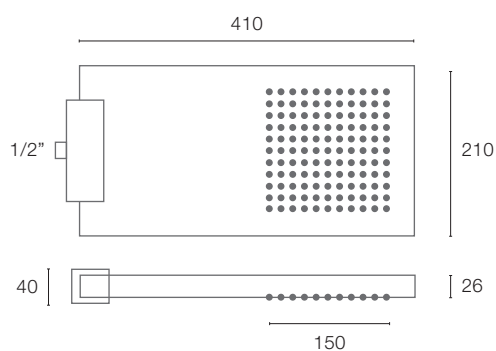
In alto la versione singola e sotto la versione strutturale del soffione Terra Marique.

Shower head

# Terra Marique

## Terra Marique

### Regular



## Terra Marique

### Structural

